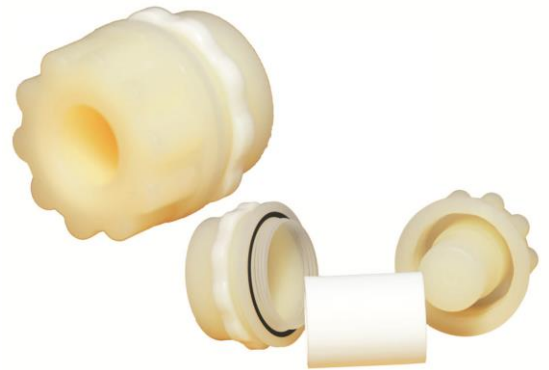
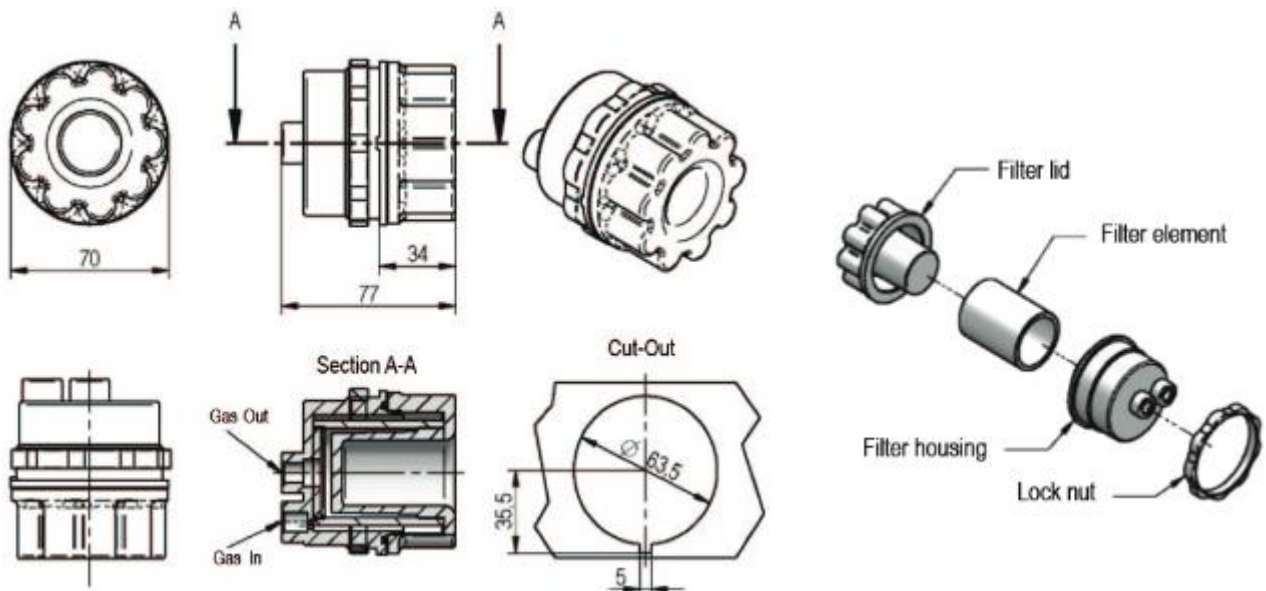


MADE IN GERMANY

## FINE DUST FILTER Item-No.: Z2-000008



- Reliable continuous dust filtration
- Low and easy maintenance effort
- Long lifetime of the filter elements
- Easy mounting and integration in gas analysis systems
- Corrosion resistant and Gas tight
- No change of sample gas



### Application examples

Emission monitoring CEMS  
Biogas  
Process control  
Fruit ripening  
High voltage

### Customizing options

sample gas pump  
sample gas cooler  
spare filter elements

Accessory | Fine Dust Filter | Z2-000008

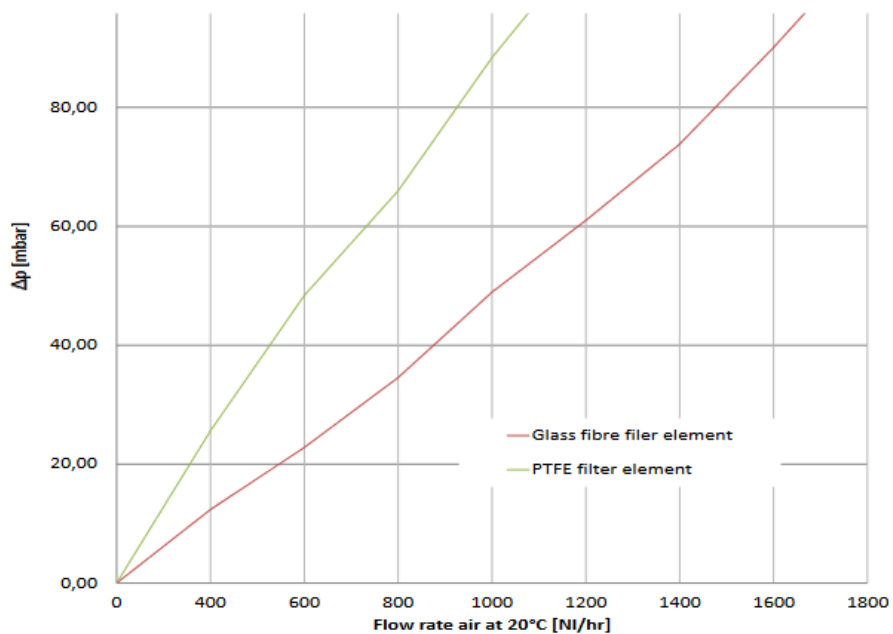
## Operation

|                     |                 |
|---------------------|-----------------|
| Flow                | max. 1800 NI/hr |
| Ambient temperature | Max. 150 °C     |
| Operating pressure  | max. 4 bar      |

## Construction

|                                  |   |
|----------------------------------|---|
| Dimensions over all (∅ x D)      | 70 x 77 mm  |
| Connections inlet / outlet       | G 1/8" i  |
| Gas wetted materials             | Filter body: PVDF, sealing: Vitron <sup>®</sup> , filter element: glass fibre |
| Dead volume                      | < 40 cm <sup>3</sup>  |
| Filter porosity / Filter surface | 2 µm / 80 cm <sup>2</sup>   |
| Approvals / Signs                | CE  |

## Pressure drop with new filter element



All rights reserved. Any logos and/or product names are trademarks of smartGAS. The reproduction, transfer, distribution or storage of information contained in this brochure in any form without the prior written consent of smartGAS is strictly prohibited. All specifications – technical included – are subject to change without notice. Depending on the application, the target gas and the measurement range the technical data may differ. No liability is accepted for any consequential losses, injury or damage resulting from the use of this document or from any omissions or errors herein. The data is given for guidance only. It does not constitute a specification or an offer for sale.

For more information, please visit [www.smartgas.eu](http://www.smartgas.eu) or contact us at [sales@smartgas.eu](mailto:sales@smartgas.eu)

Please consult smartGAS sales for parts specified with other temperature and measurement ranges. At first initiation and depending on application and ambient conditions recalibration is recommended. Recurring cycles of recalibration are recommended.